



MASTER 80
HEAVY DUTY

 **IEMCA**

BUCCI
INDUSTRIES

MASTER 80 HEAVY DUTY

The **MASTER 80 HEAVY DUTY** is an automatic barfeeder for bars with diameters between **8** and **80 mm**, ideal for applications on fixed headstock lathes, for bar lengths from **1500** to **6300 mm**. The Master is a premium barfeeder, for those who are looking for something **high performing**: **very rigid** thanks to the new version **Heavy Duty** (HD), **certified for ergonomics** for loading heavy bars, **large capacity** of the magazine, **ease of use**, **elevated speed** of bar rotation, extremely reduced time for retooling and **maximum flexibility** thanks to the **HF** (Hyper Flexible) technology.

 **IEMCA**



MASTER

∅ 8-80mm



Watch the video of the Master 80 Heavy Duty

Reasons to Purchase

Rigid. The new model Heavy Duty guarantees elevated rigidity of the barfeeder, as the lathe spindle vibrations are eliminated, even with crooked bars or with polygonal sections.

Ergonomic. The barfeeder was designed compliant to the international ergonomic standards.

Magazine. The bundle magazine and the UP magazine permits the operator to effortlessly load heavy bars. This allows the machine to work unattended for long periods of time.

Hyper Flexible. The HF technology permits work on bars from 15 to 80 mm inside the same guide channel with extremely low retooling time (only one minute). It is suitable for those who need to retool their lathes very often.

Fast. The high rigidity permits increased turning speed by 25% compared to previous models in standard condition; this greatly increases the productivity.

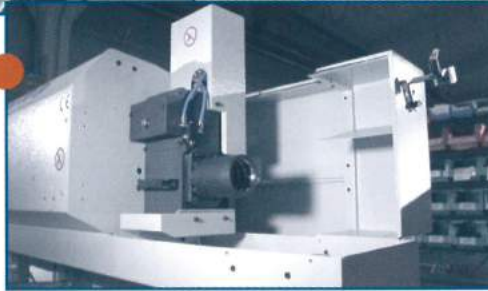
Simple. The new operator interface is enriched with new functionality which makes machine usage easier and more intuitive than before.

Flexibility



The **HF** guide channel allows the barfeeder to work steel bars of diameter from **15 to 80 mm** (and aluminum bars with diameter between 20 and 80 mm) **inside the same guide channel**, with retooling time of **only one minute**

The **integrated axial shifting** device of **800 mm** guarantees rapid access to the machine for maintenance and adjustments between the lathe and the barfeeder



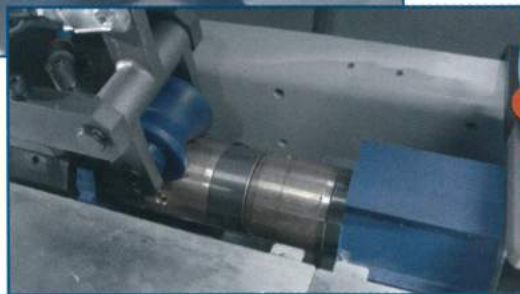
Speed



Thanks to the HD technology, it is possible to **increase the turning speed up to 25%**



The changing of the two front half bushings for the diameter change requires only **20 seconds**



The **guide channel** is completely **closed and lubricated**, with the pairs of **rollers** always applying pressure on the bar-pusher and the **front bushings** which assures speed and precision even during the most challenging machinings

Simplicity



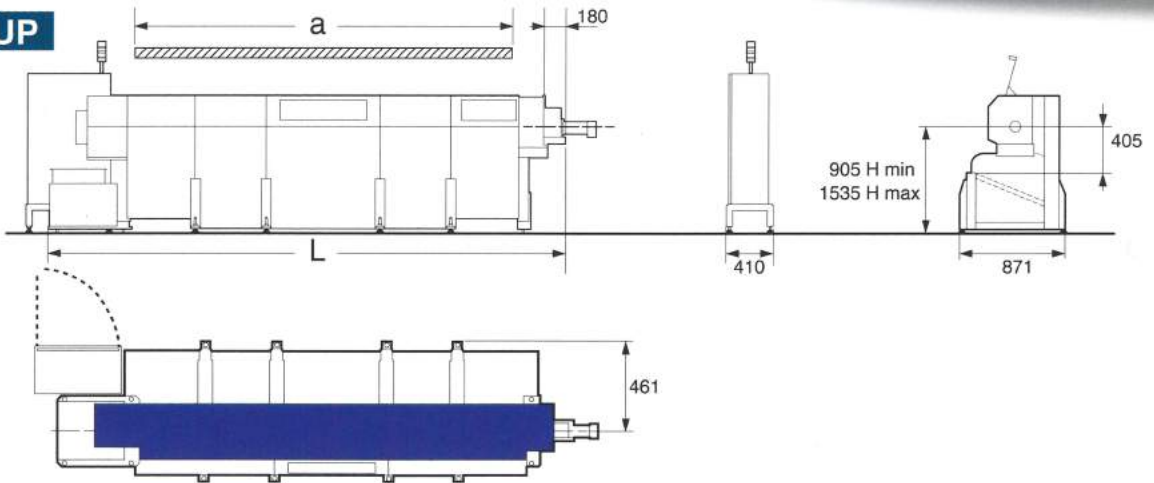
The new **"one touch" operator interface** facilitates usage by less experienced operators and also has the ability to memorize work programs and easily recall them if needed. It is possible to remotely operate the barfeeder from the panel of the lathe*

(* Only for lathes with Windows operating system and only by request when ordering

MASTER 80 HEAVY DUTY LAYOUT

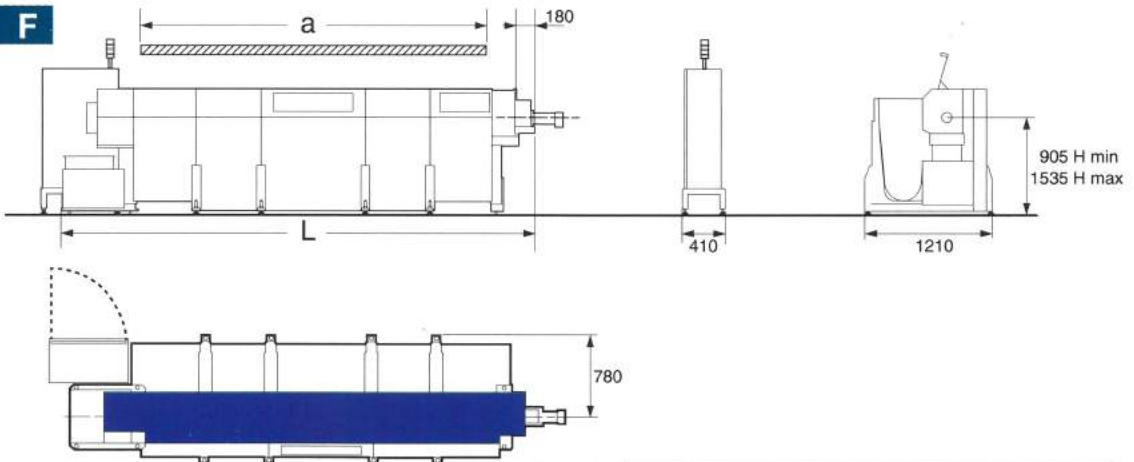


UP



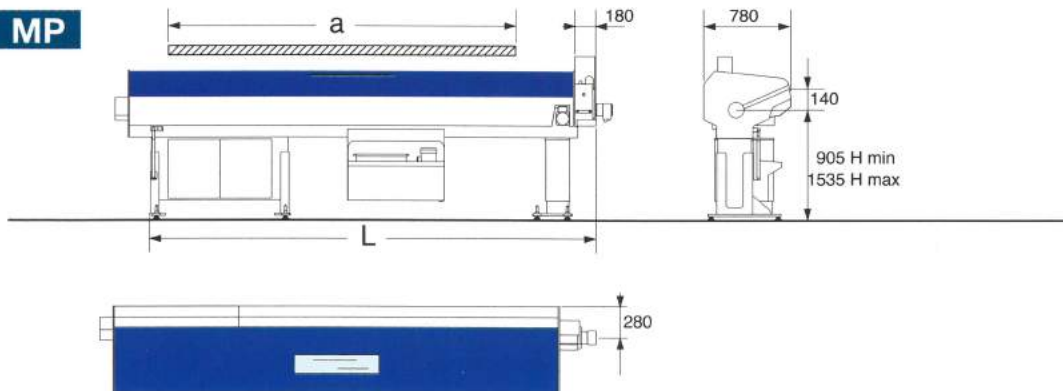
Dimensions	33	38	43	63
L	4500	5000	5500	7500
a	3300	3800	4300	6300

F



Dimensions	21	33	38	43
L	3300	4300	4800	5300
a	2300	3300	3800	4300

MP



Dimensions	33	38	43	63
L	4500	5000	5500	7500
a	3300	3800	4300	6300

MASTER 80 HEAVY DUTY AVAILABLE MODELS

Working diameter	Magazine	RHS/LHS		Length			
		Right	Left	33	38	43	63
8 - 80 mm	UP	Right		33	38	43	63
		Left		33	38	43	63
	F	Right		33	38	43	63
		Left		33	38	43	63
	MP	Right	21*	33	38	43	

(*) Available only with Verso technology

Technical characteristics	
Round bar dimensions	ø 8 - 80 mm
Hexagonal bar dimensions	7 - 65 mm
Square bar dimensions	6 - 50 mm
UP Magazine Capacity	600 mm
F Magazine Capacity	2500 Kg
MP Magazine Capacity	270 - 320 mm
Max. weight of the worked bar	180 Kg
Min. bar changeover time (Mod. 33)	32 sec
Operating Voltage	230/400 Volt
Installed power UP	3 KW
Installed power F	4 KW
Installed power MP	2.3 KW
Air pressure	6 bar



It is possible to load the bars much more easily with the new IEMCA TROLLEY (optional).



Don't forget to always use original IEMCA spare parts to have maximum performance.



IEMCA division of IGM S.p.A.
Via Granarolo 167, 48018 Faenza (RA), ITALY
Tel. +39.0546.698000 Fax + 39.0546.46338
iemca@igm.it www.iemca.com

BRAZIL
BUCCI INDUSTRIES BRASIL (IGM DO BRASIL LTDA)
Avenida dos Pinheiros 465 - 13280-000 Vinhedo - SP (São Paulo)
Phone +55 19 3515 7220 contato@buccibrasil.com.br www.buccibrasil.com.br

FRANCE
BUCCI INDUSTRIES FRANCE
145 Rue Louis Armand - ZI des Grands Pres - F - 74300 Cluses
Phone +33 450 896960 Fax +33 450 896135 iemca@bucci-industries.fr www.bucci-industries.fr

GERMANY
BUCCI INDUSTRIES DEUTSCHLAND GmbH
Stammheimer Str. 10 - D-70806 Kornwestheim
Phone +49 (0)7154 83 70 700 Fax. +49 (0)7154 83 70 7025 info@bucci-industries.de www.bucci-industries.com

JAPAN
IEMCA division of IGM Nippon K.K.
6-10-1, Kamoi, Midori-KU - Yokohama-Shi, Kanagawa, JAPAN Zip code 226-0003
Phone +81 45 931 5096 Fax +81 45 931 5098 t.tohyama@igmnippon.co.jp

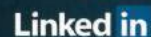
PRC
BI-TECH (Suzhou) Co., Ltd.
106 Wufang Road, Wujiang Area, Suzhou, PRC 215200
Phone +86 512 8155 6988 Fax +86 512 8155 6986 bi-tech@bi-tech.cn

TAIWAN
GIMCO Ltd.
NO. 297, Dongsing Rd., Dali City, Taichung County, 412, TAIWAN, R.O.C.
Tel +886-4-2406-6970 Fax +886-4-2406-6943 gimco@gimco.com.tw www.gimco.com.tw

USA
BUCCI INDUSTRIES USA Inc.
9332 Forsyth Park Drive - Charlotte - NC 28273-9332 - USA
Phone 001-704-5838341 Fax 001-704-5838486 info@bucci-industries.us www.bucci-industries.us



Follow us on



Scan our QR code with your smartphone

